

Sodick wire EDM's + System 3R tooling

# Ledger for EconoRulers

Older machines

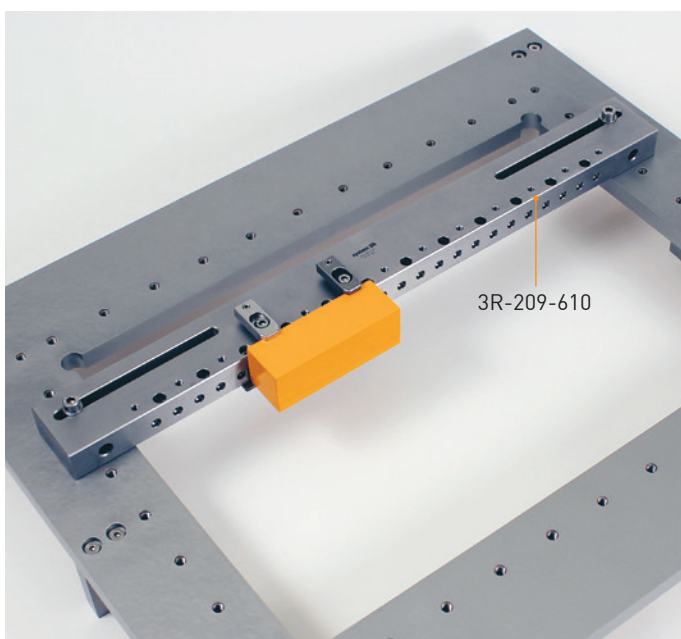


## Sodick

EconoRulers are supplied by kits. For more info, look for the various TPS-sheets covering the various 3R-209-xxx kits and accessories. The EconoRulers come by four different lengths: L=350, 610, 860 and 960 mm.

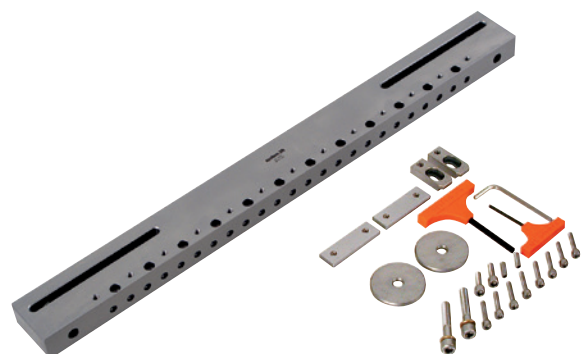
Model	c-c X	Table X	3R-209-xxx	Overhang X*	c-c Y	Table Y	3R-209-xxx	Overhang Y*
AG400L (Asian version)	500	636	610	-13	-	473	N.a.	N.a.
AG400L (European version)	500	636	610	-13	-	493	N.a.	N.a.
AG600L (Asian version)	700	836	860	12	-	573	N.a.	N.a.
AG600L (European version)	700	836	860	12	-	593	N.a.	N.a.
AP250L (yr. 2001-)	350	490	610	60	-	289	N.a.	N.a.
AP450L (yr. 2001-)	550	720	610	-55	-	444	N.a.	N.a.
AQ300	400	536	610	37	-	337	N.a.	N.a.
AQ325L (yr. 2001-)	450	586	610	12	-	396	N.a.	N.a.
AQ327L	470	606	610	2	-	396	N.a.	N.a.
AQ360L	460	606	610	2	-	395	N.a.	N.a.
AQ400L	500	670	610	-30	-	460	N.a.	N.a.
AQ535L (yr. 2001-)	650	786	860	37	-	466	N.a.	N.a.
AQ537L	670	806	860	27	-	496	N.a.	N.a.
AQ560L	660	800	860	30	-	505	N.a.	N.a.
AQ600L	700	870	860	-5	-	590	N.a.	N.a.
SL400G	500	636	610	-13	395	493	610	58.5
SL400Q	500	636	610	-13	395	493	610	58.5
SL600G	700	836	860	12	495	593	610	8.5
SL600P	700	836	860	12	495	593	610	8.5
SL600Q	700	836	860	12	495	593	610	8.5
SLC400G	500	636	610	-13	395	493	610	58.5
SLC600G	700	836	860	12	495	593	610	8.5
VZ300L	450	586	610	12	-	426	N.a.	N.a.
VZ500L	600	736	860	62	-	568	N.a.	N.a.

\* Overhang means a stick-out of EconoRuler that may collide with tankwall (only valid if value is positive and box is colored orange). In order to solve this risk of collision, it may require the EconoRuler to be cut off.



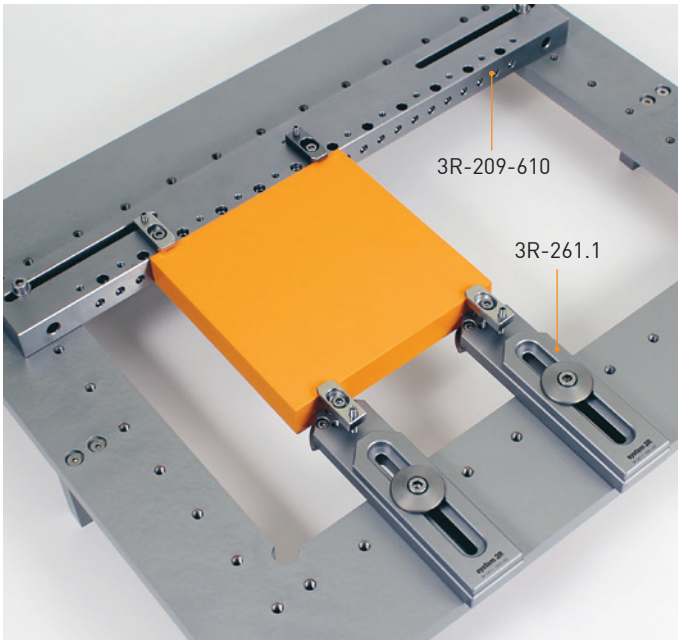
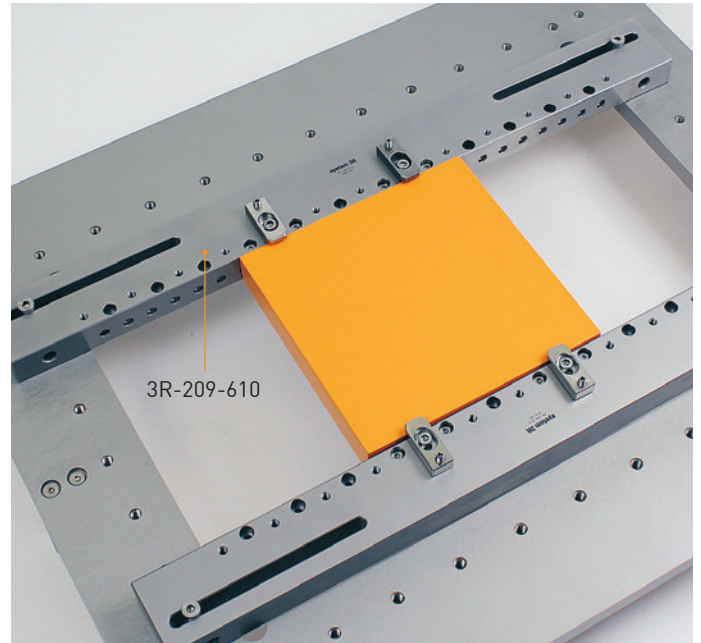
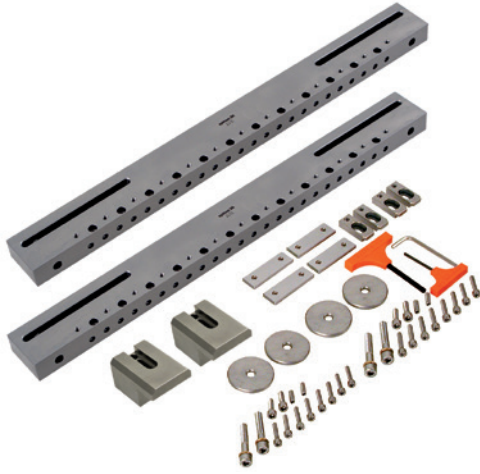
### EconoRuler kit, 3R-209-XXX.1

Note: There are four different kits to choose between. 350 mm, 610 mm, 860 mm or 960 mm EconoRuler length.



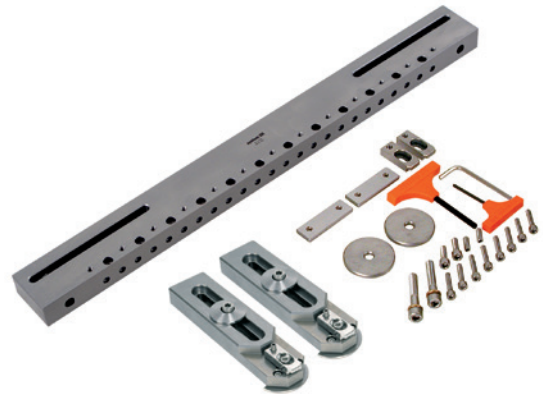
### EconoRuler kit, 3R-209-XXX.2

Note: There are four different kits to choose between.  
350 mm, 610 mm, 860 mm or 960 mm EconoRuler length.



### EconoRuler kit, 3R-209-XXX.3

Note: There are four different kits to choose between.  
350 mm, 610 mm, 860 mm or 960 mm EconoRuler length.



### EconoRuler kit, 3R-209-XXX.4

Note: There are four different kits to choose between.  
350 mm, 610 mm, 860 mm or 960 mm EconoRuler length.

