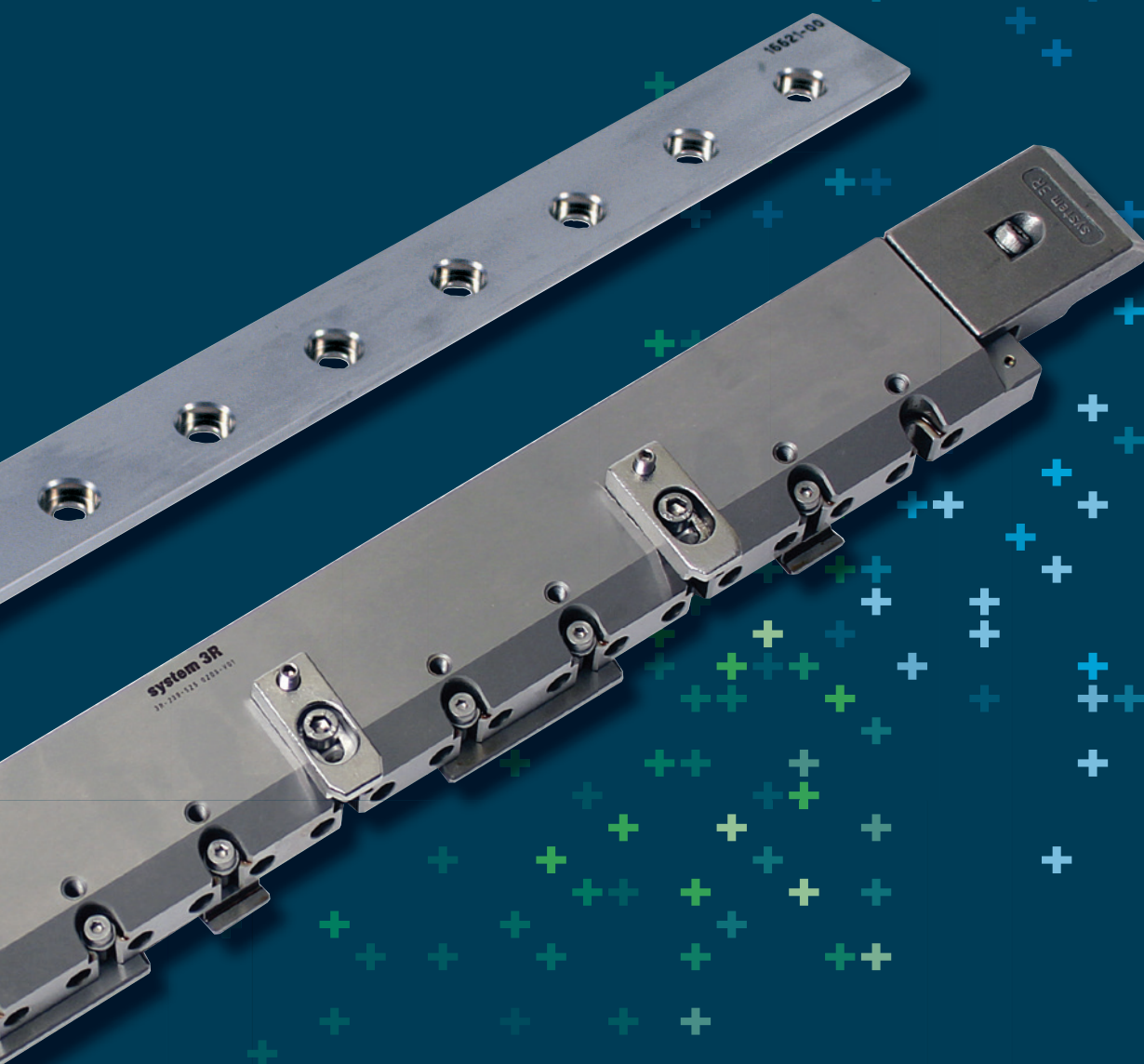


Sodick + System 3R tooling

# Ledger for Reference elements and 3Rulers



This ledger is only to guide suitable length of reference elements and 3Ruler for specific machine model. Contents for 3Rulers and/or reference elements, see also TPS-sheets covering the range of 3R-200.yyJ-x, 3R-239-xxx and accessories.

## Sodick

Model	Tooling configuration for X-axis		Tooling configuration for Y-axis		MIC-xxxx	
	Ref. element	3R-239-xxx	Ref. element	3R-239-xxx		
7632	3R-200.49J-1	550*****	3R-200.49J-1	N.a.	2943	Page: 3
AD325L	3R-200.29J-1	365	3R-200.4J-1	N.a.	2942	Page: 4
AL400G	3R-200.29J-1	445	3R-200.6J-1	N.a.	2815	Page: 5
AL400P	3R-200.29J-1	445	3R-200.6J-1	N.a.	2815	Page: 5
AL600G	3R-200.4J-1	645.86	3R-200.3J-1 + 3R-200.4J-1	N.a.	2816	Page: 6
AL800G	3R-200.5J-2	850.86	3R-200.4J-1 + 3R-200.6J-1	N.a.	2827	Page: 7
AL800P	3R-200.5J-2	850.86	3R-200.4J-1 + 3R-200.6J-1	N.a.	2827	Page: 7
ALC400G	3R-200.29J-1	445	3R-200.6J-1	N.a.	2815	Page: 5
ALC600G	3R-200.4J-1	645.86	3R-200.3J-1 + 3R-200.4J-1	N.a.	2816	Page: 6
ALC800G	3R-200.5J-2	850.86	3R-200.4J-1 + 3R-200.6J-1	N.a.	2827	Page: 7
ALN400G	3R-200.29J-1	445	3R-200.6J-1	N.a.	2815	Page: 5
ALN400Q	3R-200.29J-1	445	3R-200.6J-1	N.a.	2815	Page: 5
ALN600G	3R-200.4J-1	645.86	3R-200.3J-1 + 3R-200.4J-1	N.a.	2816	Page: 6
ALN600Q	3R-200.4J-1	645.86	3R-200.3J-1 + 3R-200.4J-1	N.a.	2816	Page: 6
ALN800G	3R-200.5J-2	850.86	3R-200.4J-1 + 3R-200.6J-1	N.a.	2827	Page: 7
AP250L (yr. 2002-)	3R-200.2J-1	295	3R-200.29J-1	N.a.	2871	Page: 8
AP450L (yr. 2002-)	3R-200.29J-1	495	3R-200.29J-1	N.a.	2953	Page: 9
AQ750L	3R-200.3J-1	795.86	3R-200.3J-1 + 3R-200.4J-1	N.a.	2878	Page: 10
AQ900L	3R-200.4J-1	945.86	3R-200.4J-1 + 3R-200.49J-1	N.a.	2877	Page: 11
AQ1200L	3R-200.5J-2	N.a.	3R-200.4J-2	865.86	2876	Page: 12
VL400Q	3R-200.29J-1	445	3R-200.6J-1	N.a.	2828	Page: 13
VL600Q	3R-200.4J-1	645.86	3R-200.3J-1 + 3R-200.4J-1	N.a.	2829	Page: 14

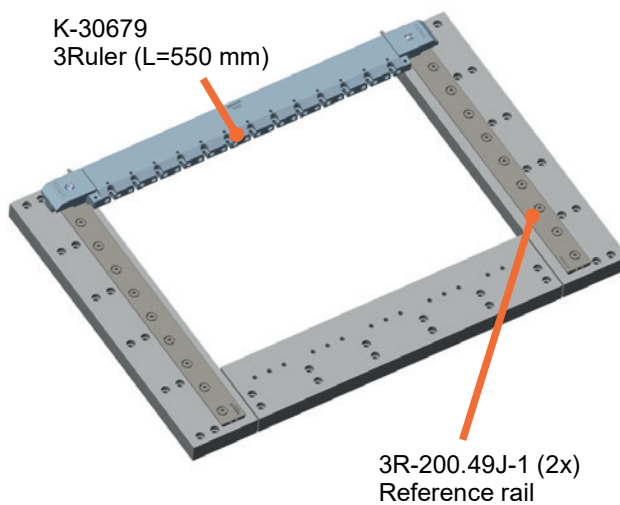
\*\*\*\*\* 3Ruler is supplied by article no.: K-30679

## MIC – Machine Interface Configuration

February 12, 2021

Subject to modifications  
MIC-2943

### Sodick – 7632



Machine table without tooling

Working area:

X: (not available) mm

Y: (not available) mm

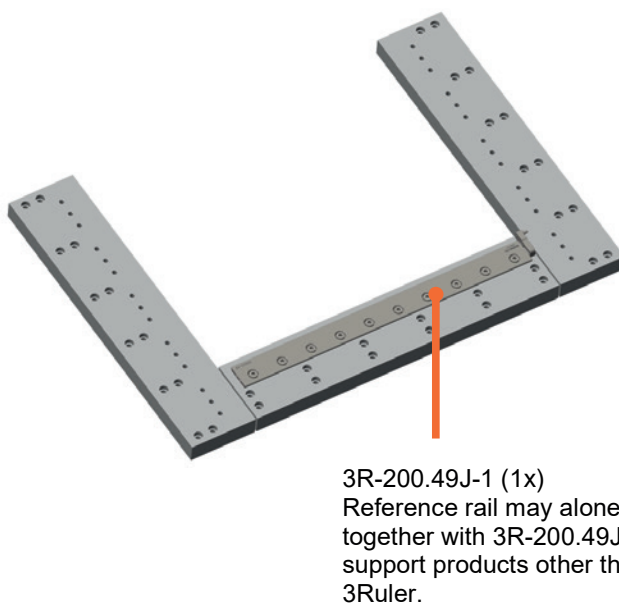
#### Horizontal configuration

This configuration display one 3Ruler, but two cross bars may be used.

Working area:

X: xx mm

Y: xx mm



#### Vertical configuration

The table does not support 3Ruler.

Working area:

X: xx mm

Y: xx mm

See also TPS-sheet "3R-239-xxx" covering 3Ruler and recommended accessories.

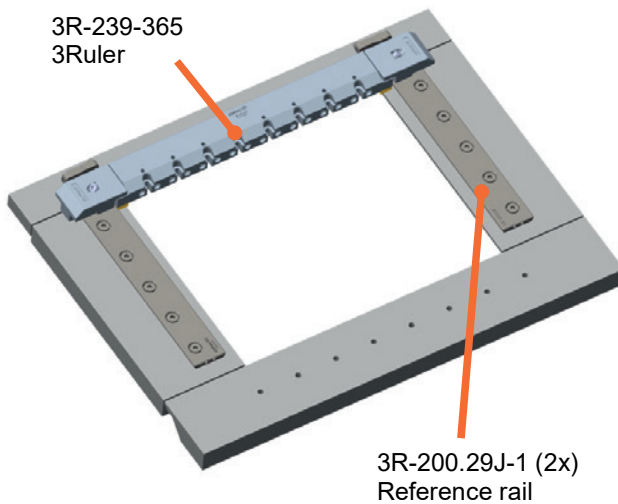
Note: The reference rail also enables the use of other products like: 3R-218-S, 3R-243.2-1 or 3R-272HP.

## MIC – Machine Interface Configuration

February 12, 2021

Subject to modifications  
MIC-2942

### Sodick – AD325L



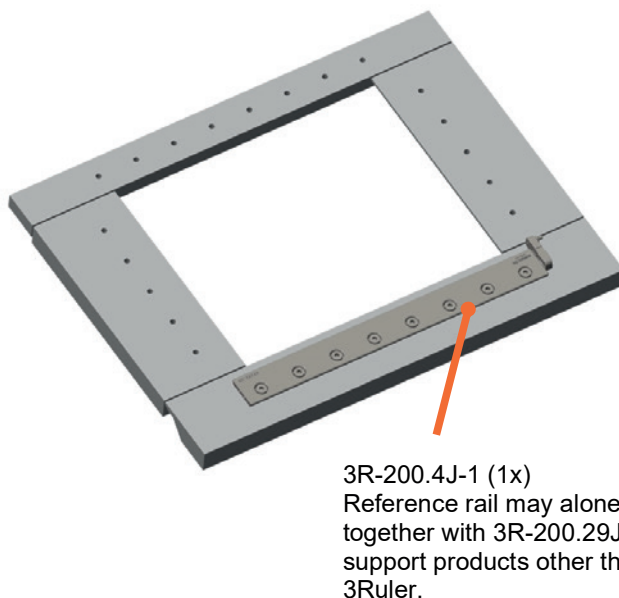
Machine table without tooling

Working area:  
X: 320 mm  
Y: 250 mm

#### Horizontal configuration

This configuration display one 3Ruler, but two cross bars may be used.

Working area:  
X: 320 mm  
Y: 250 mm



#### Vertical configuration

The table does not support 3Ruler.

Working area:  
X: 320 mm  
Y: 250 mm

See also TPS-sheet "3R-239-xxx" covering 3Ruler and recommended accessories.

Note: The reference rail also enables the use of other products like: 3R-218-S, 3R-243.2-1 or 3R-272HP.

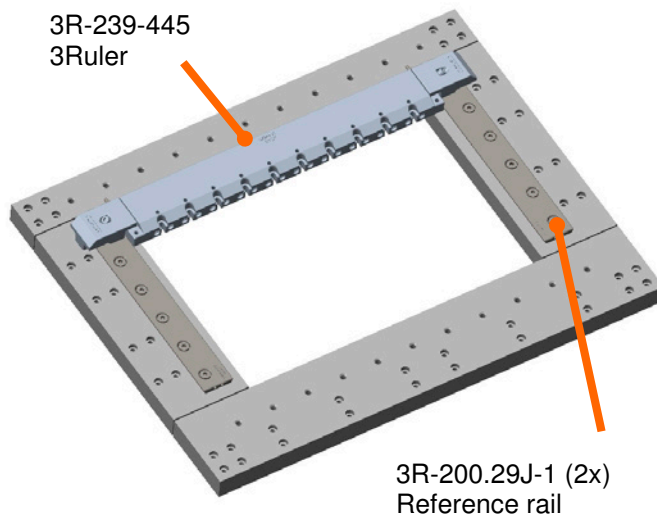
# System 3R

## MIC – Machine Interface Configuration

November 11, 2018

Subject to modifications  
MIC-2815

### Sodick – AL400G, AL400P, ALC400G, ALN400G, ALN400Q



Machine table without tooling

Working area:

X: 400 mm

Y: 300 mm

#### Horizontal configuration

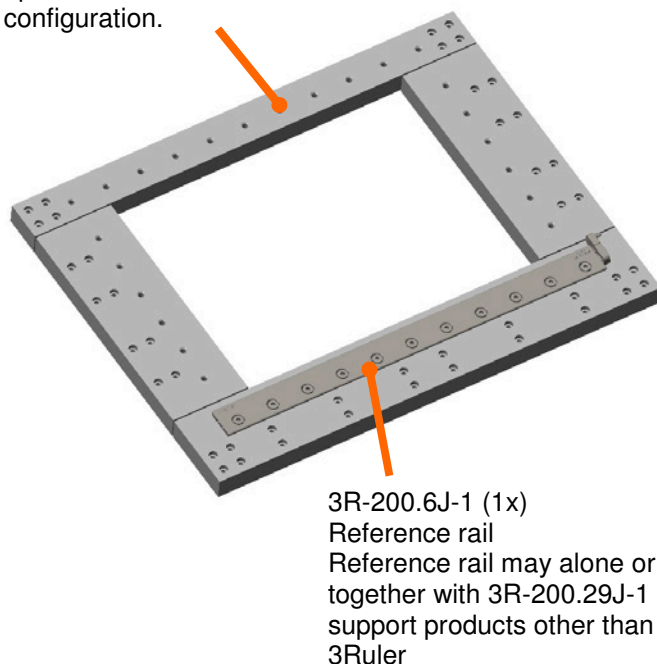
This configuration display one 3Ruler, but two cross bars may be used.

Working area:

X: 400 mm

Y: 242 mm

Design of table, does not allow reference rail opposite of operator nor 3Ruler for vertical configuration.



#### Vertical configuration

The table does not support 3Ruler.

Working area:

X: 400 mm

Y: 300 mm

See also TPS-sheet "3R-239-xxx" covering 3Ruler and recommended accessories.

Note: The reference rail also enables the use of other products like: 3R-218-S, 3R-243.2-1 or 3R-272HP.

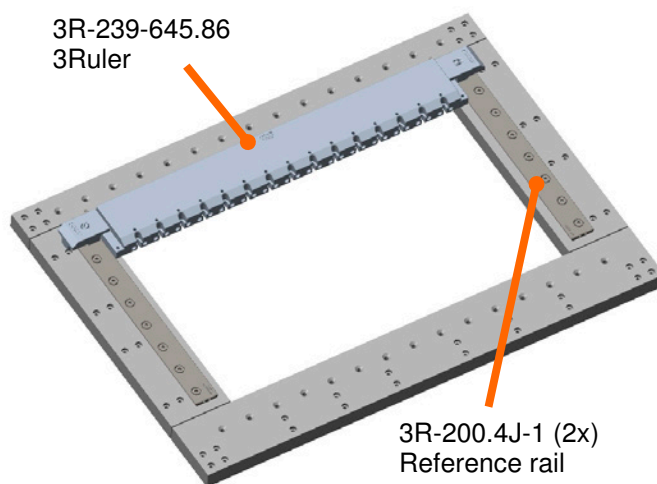
# System 3R

## MIC – Machine Interface Configuration

November 11, 2018

Subject to modifications  
MIC-2816

### Sodick – AL600G, AL600P, ALC600G, ALN600G, ALN600Q



Machine table without tooling

Working area:

X: 600 mm

Y: 400 mm

#### Horizontal configuration

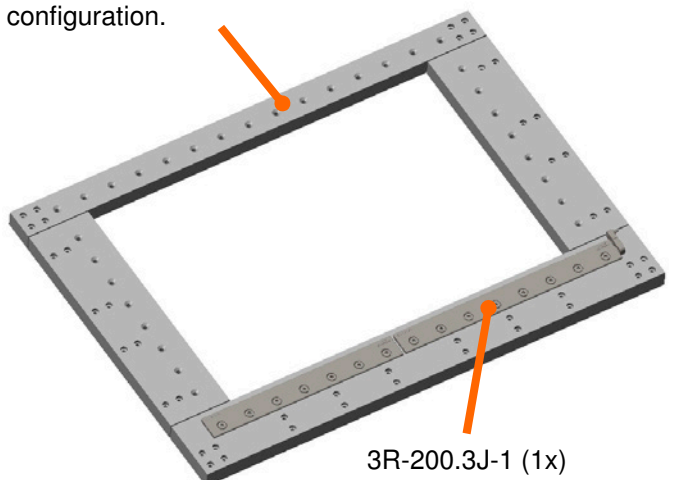
This configuration display one 3Ruler, but two cross bars may be used.

Working area:

X: 600 mm

Y: 316 mm

Design of table, does not allow reference rail opposite of operator nor 3Ruler for vertical configuration.



#### Vertical configuration

The table does not support 3Ruler.

Working area:

X: 600 mm

Y: 400 mm

See also TPS-sheet "3R-239-xxx" covering 3Ruler and recommended accessories.

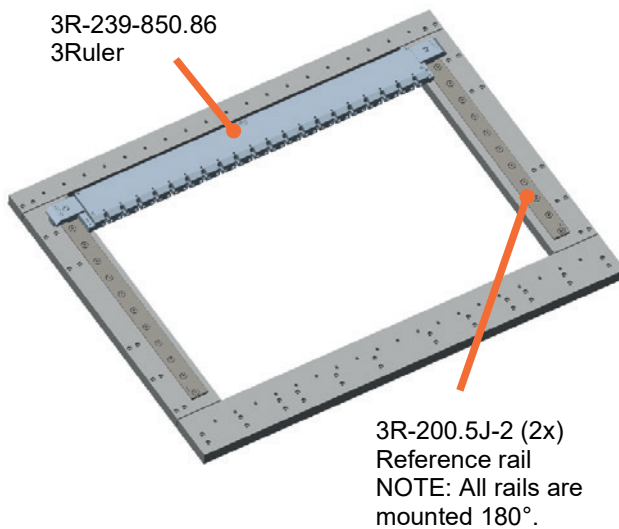
Note: The reference rail also enables the use of other products like: 3R-218-S, 3R-243.2-1 or 3R-272HP.

## MIC – Machine Interface Configuration

June 7, 2021

Subject to modifications  
MIC-2827

### Sodick – AL800G, AL800P, ALC800G, ALN800G

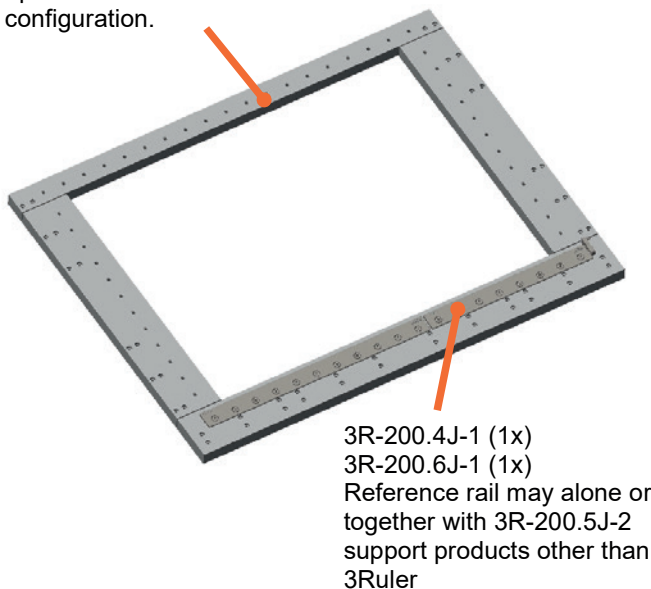


Machine table without tooling  
Working area:  
X: 800 mm  
Y: 600 mm

Horizontal configuration  
This configuration display one 3Ruler, but two cross bars may be used.

Working area:  
X: 800 mm  
Y: 504 mm

Design of table, does not allow reference rail opposite of operator nor 3Ruler for vertical configuration.



Vertical configuration  
The table does not support 3Ruler.

Working area:  
X: 800 mm  
Y: 600 mm

See also TPS-sheet “3R-239-xxx” covering 3Ruler and recommended accessories.

Note: The reference rail also enables the use of other products like: 3R-218-S, 3R-243.2-1 or 3R-272HP.

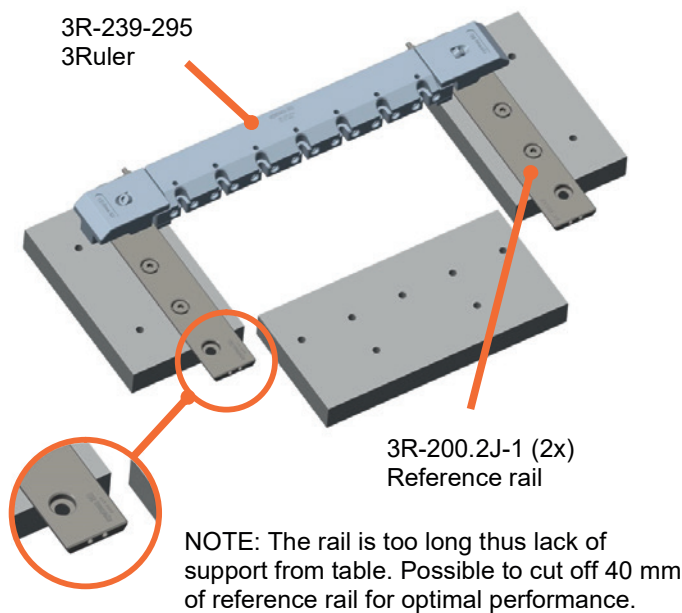
# System 3R

## MIC – Machine Interface Configuration

May 31, 2021

Subject to modifications  
MIC-2871

### Sodick – AP250L (yr. 2002-)



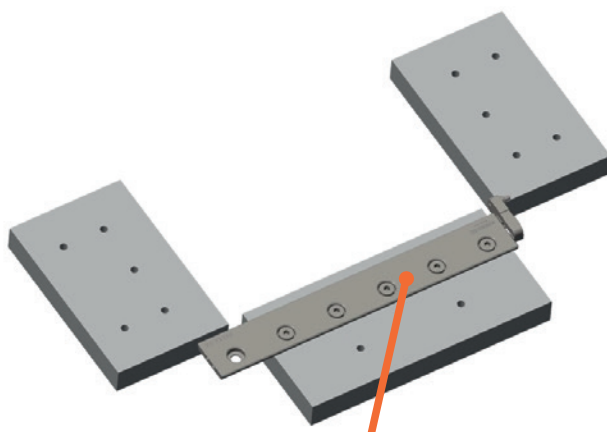
Machine table without tooling

Working area:  
X: 250 mm  
Y: 150 mm

#### Horizontal configuration

This configuration display one 3Ruler, but two cross bars may be used.

Working area:  
X: 250 mm  
Y: 109 mm



#### Vertical configuration

This U-shaped machine-table, does not support 3Ruler.

Working area:  
X: 250 mm  
Y: 150 mm

See also TPS-sheet "3R-239-xxx" covering 3Ruler and recommended accessories.

Note: The reference rail also enables the use of other products like: 3R-218-S, 3R-243.2-1 or 3R-272HP.

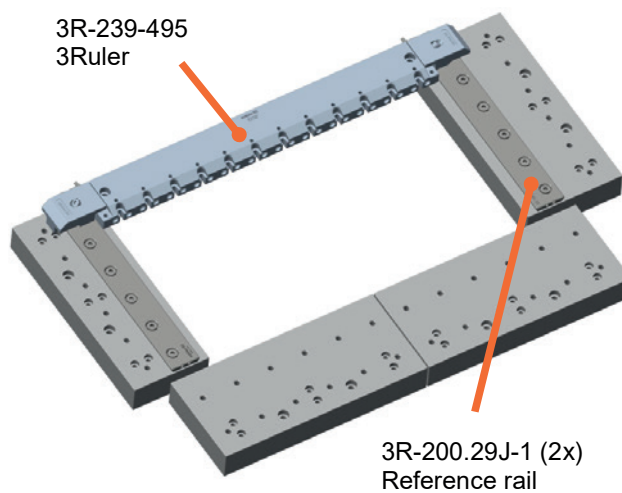


## MIC – Machine Interface Configuration

May 31, 2021

Subject to modifications  
MIC-2953

### Sodick – AP450L



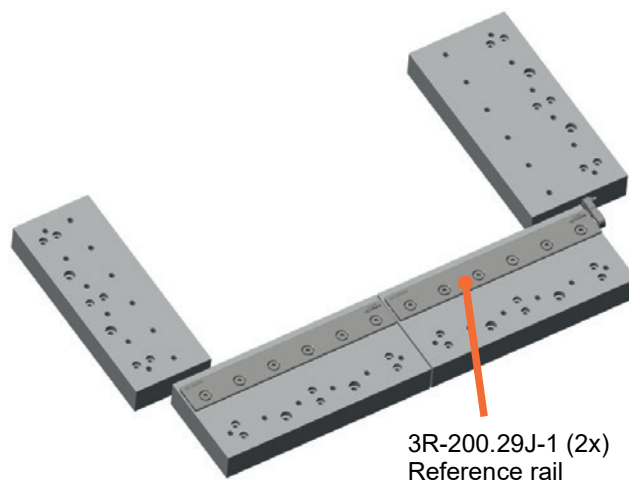
Machine table without tooling

Working area:  
X: 450 mm  
Y: 300 mm

#### Horizontal configuration

This configuration display one 3Ruler, but two cross bars may be used.

Working area:  
X: 450 mm  
Y: 237 mm



#### Vertical configuration

This U-shaped machine-table, does not support 3Ruler.

Working area:  
X: 450 mm  
Y: 300 mm

See also TPS-sheet "3R-239-xxx" covering 3Ruler and recommended accessories.

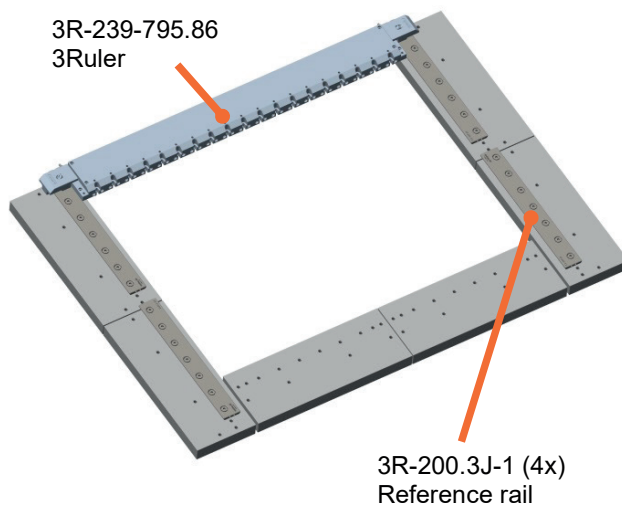
Note: The reference rail also enables the use of other products like: 3R-218-S, 3R-243.2-1 or 3R-272HP.

## MIC – Machine Interface Configuration

April 10, 2019

Subject to modifications  
MIC-2878

### Sodick – AQ750L



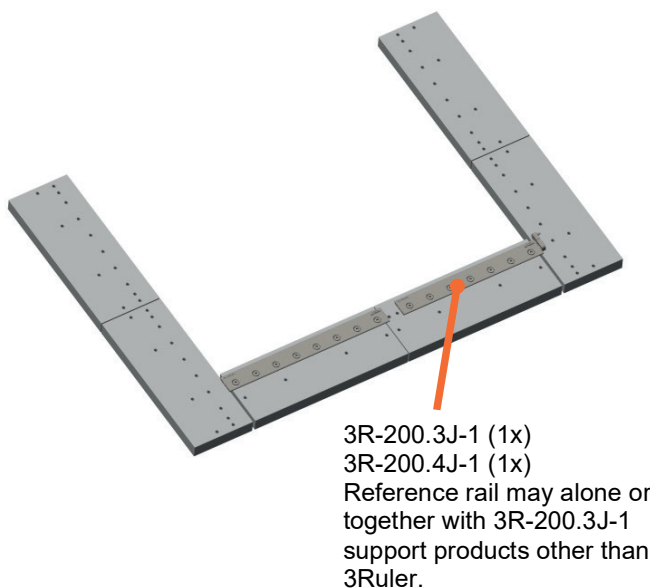
Machine table without tooling

Working area:  
X: 750 mm  
Y: 500 mm

#### Horizontal configuration

This configuration display one 3Ruler, but two cross bars may be used.

Working area:  
X: 750 mm  
Y: 500 mm



#### Vertical configuration

The table does not support 3Ruler.

Working area:  
X: 750 mm  
Y: 500 mm

See also TPS-sheet "3R-239-xxx" covering 3Ruler and recommended accessories.

Note: The reference rail also enables the use of other products like: 3R-218-S, 3R-243.2-1 or 3R-272HP.

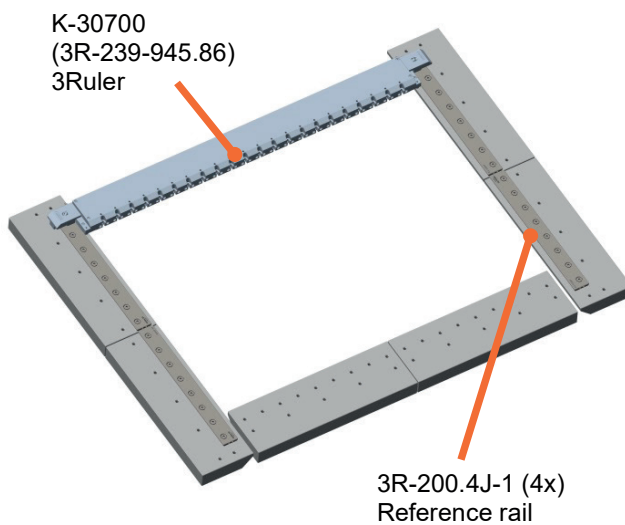
# System 3R

## MIC – Machine Interface Configuration

April 10, 2019

Subject to modifications  
MIC-2877

### Sodick – AQ900L



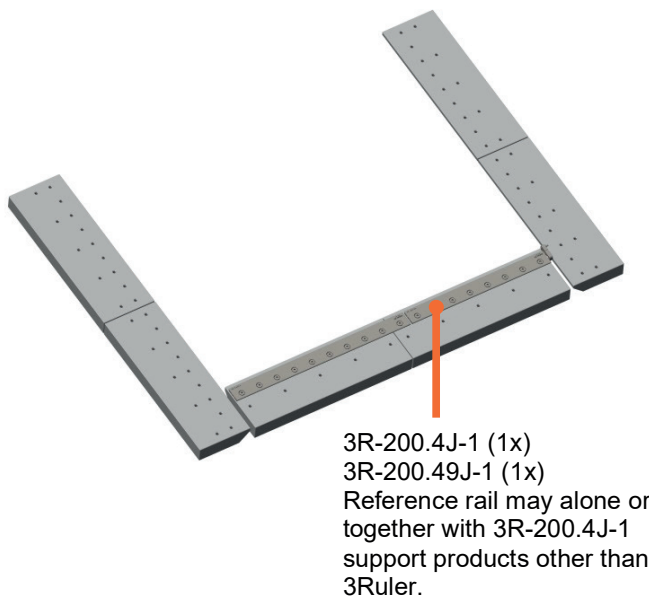
Machine table without tooling

Working area:  
X: 900 mm  
Y: 600 mm

#### Horizontal configuration

This configuration display one 3Ruler, but two cross bars may be used.

Working area:  
X: 900 mm  
Y: 600 mm



#### Vertical configuration

The table does not support 3Ruler.

Working area:  
X: 900 mm  
Y: 600 mm

See also TPS-sheet "3R-239-xxx" covering 3Ruler and recommended accessories.

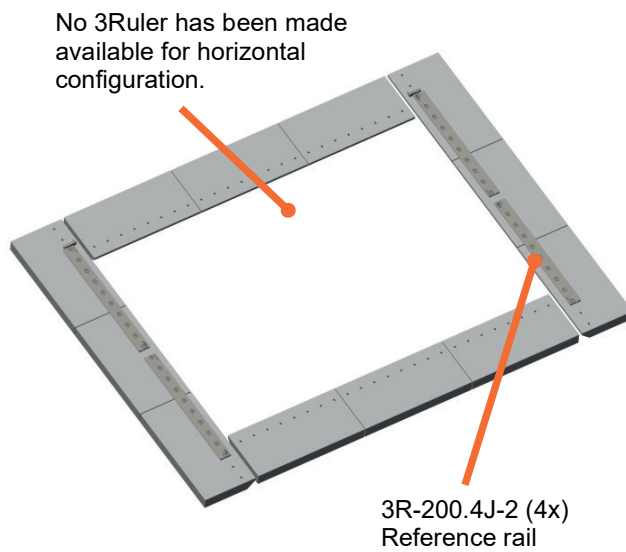
Note: The reference rail also enables the use of other products like: 3R-218-S, 3R-243.2-1 or 3R-272HP.

## MIC – Machine Interface Configuration

April 10, 2019

Subject to modifications  
MIC-2876

### Sodick – AQ1200L



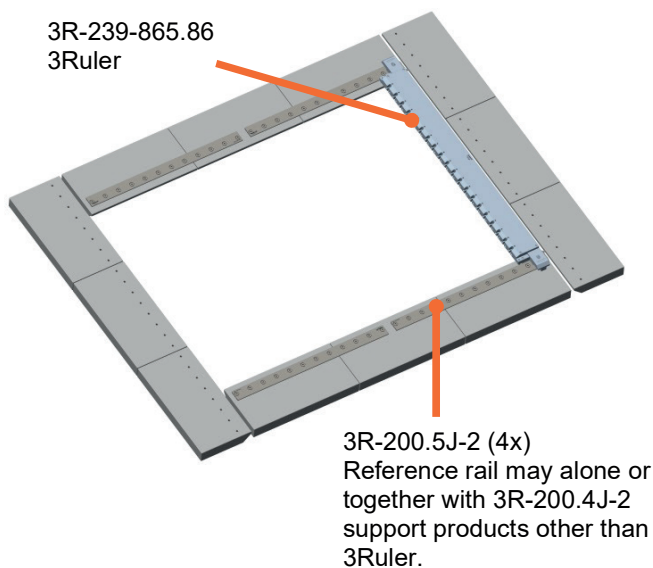
Machine table without tooling

Working area:  
X: 1200 mm  
Y: 800 mm

#### Horizontal configuration

There is no 3Ruler made available for horizontal configuration.

Working area:  
X: 1200 mm  
Y: 800 mm



#### Vertical configuration

This configuration display one 3Ruler, but two cross bars may be used.

Working area:  
X: 1100 mm  
Y: 800 mm

See also TPS-sheet "3R-239-xxx" covering 3Ruler and recommended accessories.

Note: The reference rail also enables the use of other products like: 3R-218-S, 3R-243.2-1 or 3R-272HP.

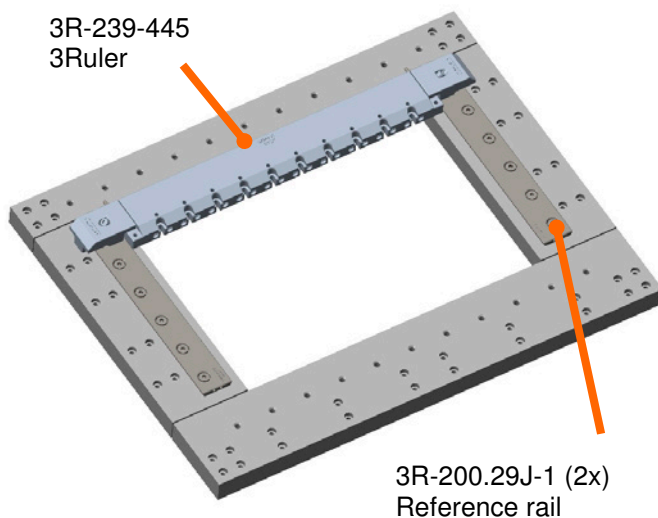
# System 3R

## MIC – Machine Interface Configuration

November 11, 2018

Subject to modifications  
MIC-2828

### Sodick – VL400Q



Machine table without tooling

Working area:

X: 400 mm

Y: 300 mm

#### Horizontal configuration

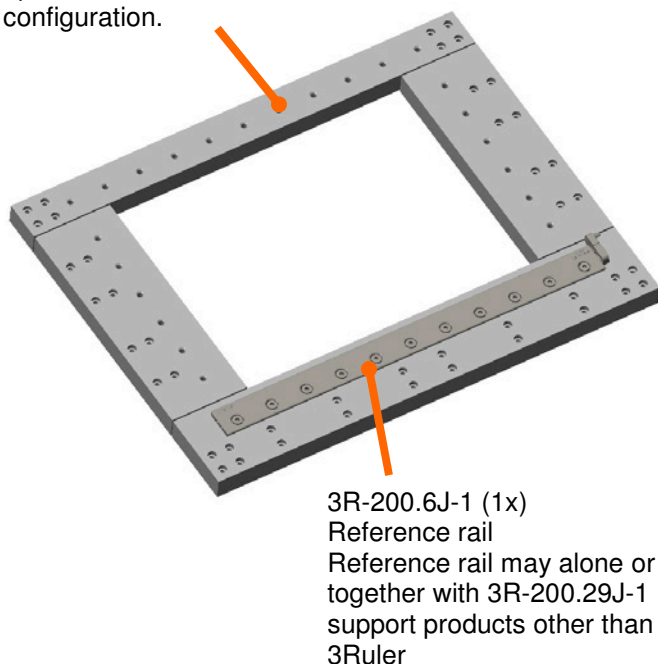
This configuration display one 3Ruler, but two cross bars may be used.

Working area:

X: 400 mm

Y: 242 mm

Design of table, does not allow reference rail opposite of operator nor 3Ruler for vertical configuration.



#### Vertical configuration

The table does not support 3Ruler.

Working area:

X: 400 mm

Y: 300 mm

See also TPS-sheet "3R-239-xxx" covering 3Ruler and recommended accessories.

Note: The reference rail also enables the use of other products like: 3R-218-S, 3R-243.2-1 or 3R-272HP.

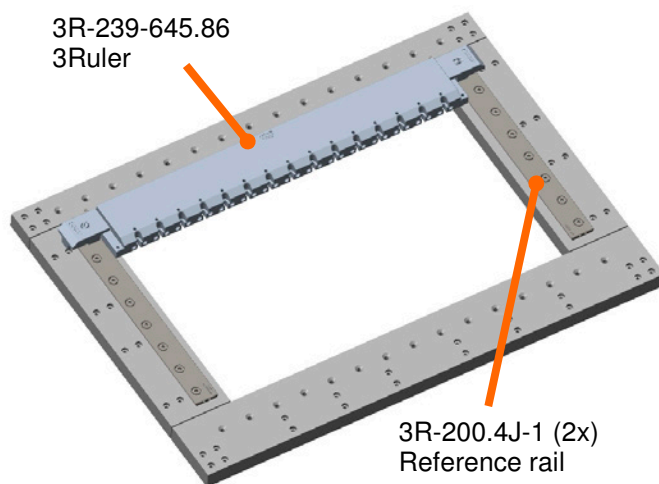
# System 3R

## MIC – Machine Interface Configuration

November 11, 2018

Subject to modifications  
MIC-2829

### Sodick – VL600Q



Machine table without tooling

Working area:

X: 600 mm

Y: 400 mm

#### Horizontal configuration

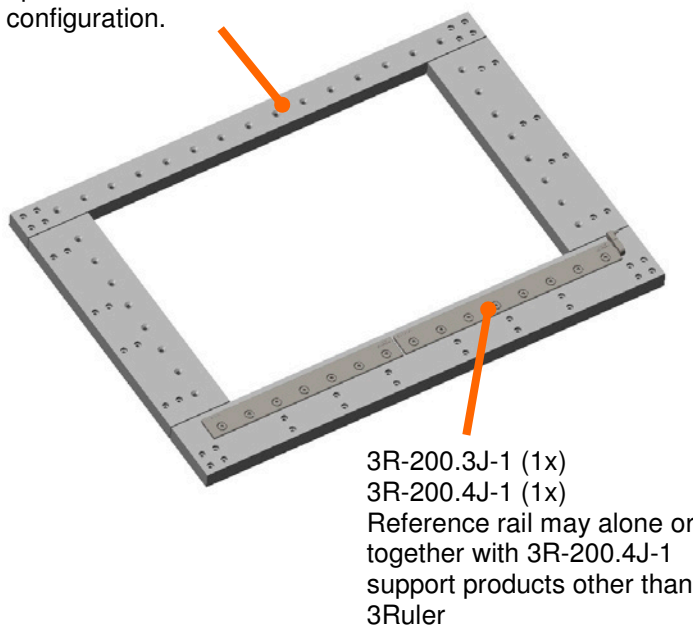
This configuration display one 3Ruler, but two cross bars may be used.

Working area:

X: 600 mm

Y: 316 mm

Design of table, does not allow reference rail opposite of operator nor 3Ruler for vertical configuration.



#### Vertical configuration

The table does not support 3Ruler.

Working area:

X: 600 mm

Y: 400 mm

See also TPS-sheet “3R-239-xxx” covering 3Ruler and recommended accessories.

Note: The reference rail also enables the use of other products like: 3R-218-S, 3R-243.2-1 or 3R-272HP.

