

Exetek + System 3R tooling

Ledger for Reference elements and 3Rulers



This ledger is only to guide suitable length of reference elements and 3Ruler for specific machine model. Contents for 3Rulers and/or reference elements, see also TPS-sheets covering the range of 3R-200.yyJ-x, 3R-239-xxx and accessories.

Excetek

Model	Tooling configuration for X-axis		Tooling configuration for Y-axis		MIC-xxxx	
	Ref. element	3R-239-xxx	Ref. element	3R-239-xxx		
V400G	3R-200.39J-2	445	3R-200.5J-2	N.a.	2817	Page: 3
V500G	3R-200.47J-2	545	3R-200.39J-2	N.a.	2818	Page: 4
V650G	3R-200.5J-2	695.86	3R-200.5J-2	N.a.	2819	Page: 5
V850G	3R-200.5J-2	845.86	3R-200.3J-2 + 3R-200.39J-2	N.a.	2820	Page: 6
V1060	3R-200.49J-1 + 3R-200.4J-1	1045**	3R-200.49J-1	N.a.	2821	Page: 7

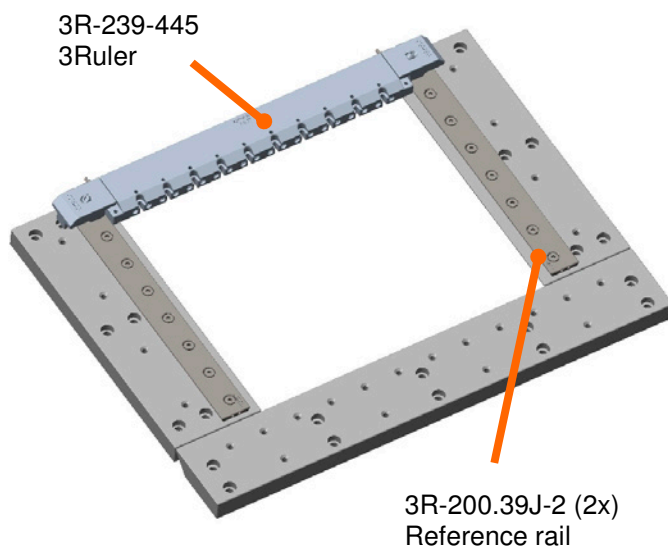
** 3Ruler is supplied by article no.: D-30248

MIC – Machine Interface Configuration

November 11, 2018

Subject to modifications
MIC-2817

EXCETEK – V400G



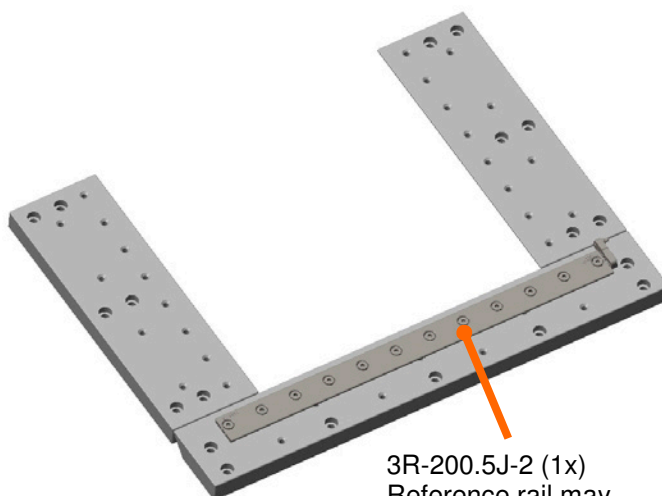
Machine table without tooling

Working area:
X: 400 mm
Y: 300 mm

Horizontal configuration

This configuration display one 3Ruler, but two cross bars may be used.

Working area:
X: 400 mm
Y: 300 mm



Vertical configuration

This U-shaped machine-table, does not support 3Ruler.

Working area:
X: 400 mm
Y: 300 mm

See also TPS-sheet "3R-239-xxx" covering 3Ruler and recommended accessories.

Note: The reference rail also enables the use of other products like: 3R-218-S, 3R-243.2-1 or 3R-272HP.

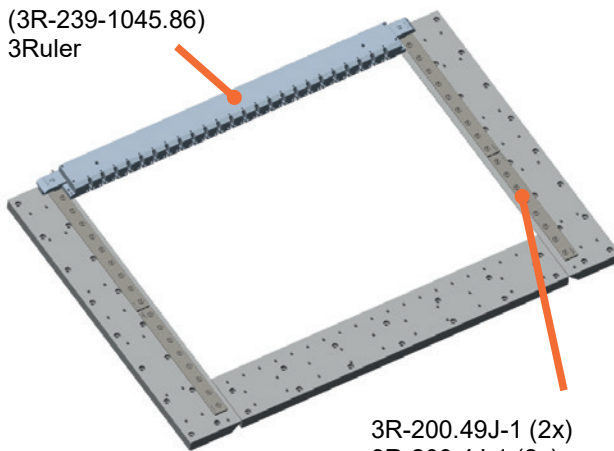
MIC – Machine Interface Configuration

June 10, 2021

Subject to modifications
MIC-2821

EXCETEK – V1060

D-30248
(3R-239-1045.86)
3Ruler



Machine table without tooling

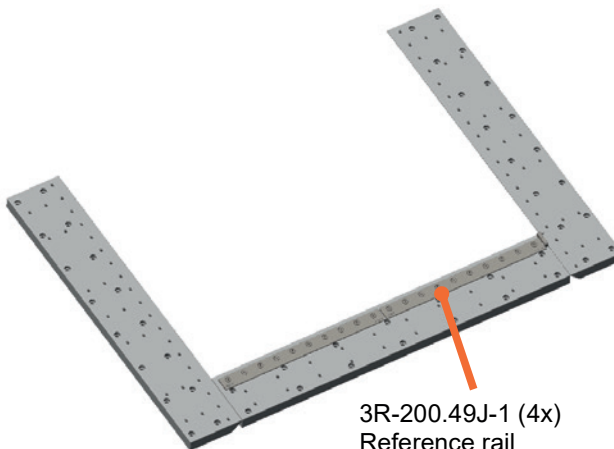
Working area:
X: 1000 mm
Y: 600 mm

Horizontal configuration

There is no 3Ruler made available for horizontal configuration.

Working area:
X: 1000 mm
Y: 600 mm

3R-200.49J-1 (2x)
3R-200.4J-1 (2x)
Reference rail
NOTE: All rails are mounted 180°.



Vertical configuration

This U-shaped machine-table, does not support 3Ruler.

Working area:
X: 1000 mm
Y: 600 mm

3R-200.49J-1 (4x)
Reference rail
NOTE: All rails are mounted 180°.

See also TPS-sheet “3R-239-xxx” covering 3Ruler and recommended accessories.

Note: The reference rail also enables the use of other products like: 3R-218-S, 3R-243.2-1 or 3R-272HP.

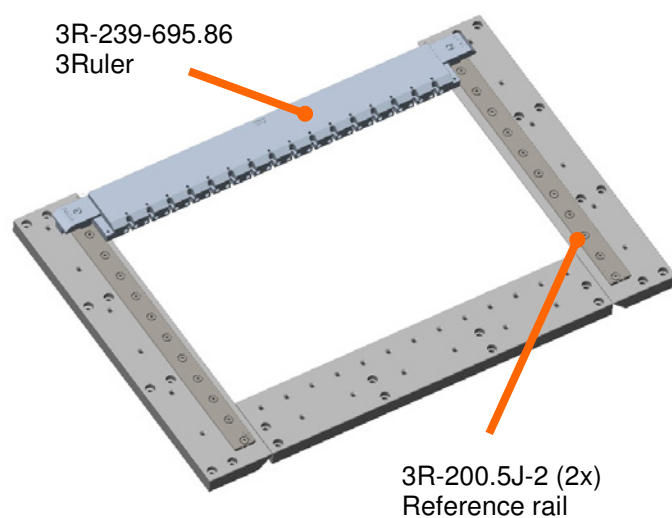
System 3R

MIC – Machine Interface Configuration

November 11, 2018

Subject to modifications
MIC-2819

EXCETEK – V650G



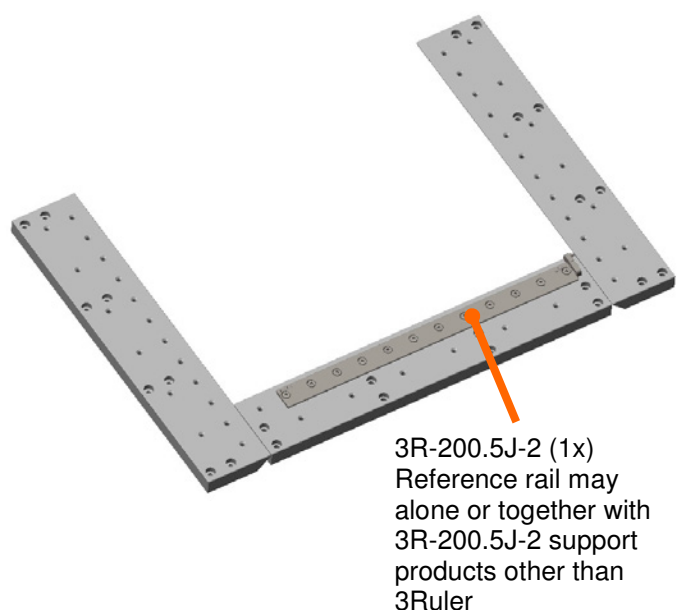
Machine table without tooling

Working area:
X: 650 mm
Y: 400 mm

Horizontal configuration

This configuration display one 3Ruler, but two cross bars may be used.

Working area:
X: 650 mm
Y: 400 mm



Vertical configuration

This U-shaped machine-table, does not support 3Ruler.

Working area:
X: 650 mm
Y: 400 mm

See also TPS-sheet “3R-239-xxx” covering 3Ruler and recommended accessories.

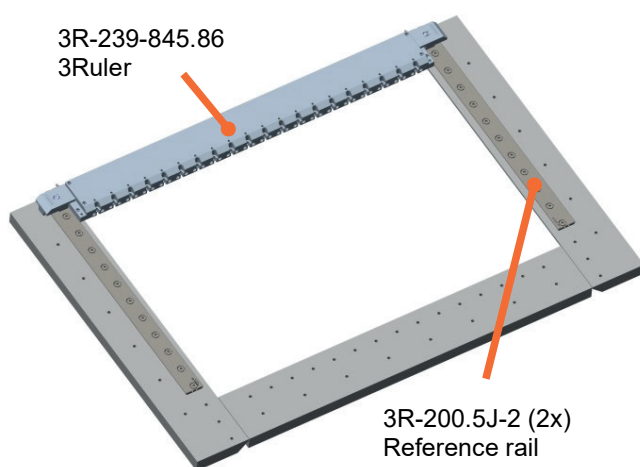
Note: The reference rail also enables the use of other products like: 3R-218-S, 3R-243.2-1 or 3R-272HP.

MIC – Machine Interface Configuration

November 28, 2019

Subject to modifications
MIC-2820

EXCETEK – V850G



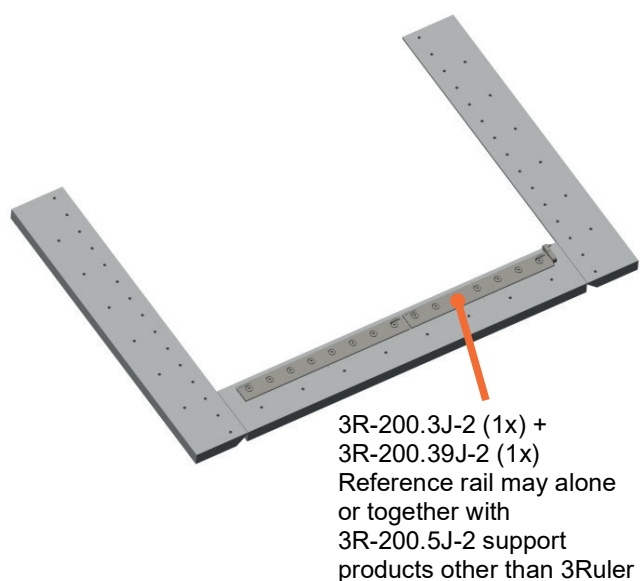
Machine table without tooling

Working area:
X: 800 mm
Y: 500 mm

Horizontal configuration

This configuration display one 3Ruler, but two cross bars may be used.

Working area:
X: 800 mm
Y: 500 mm



Vertical configuration

This U-shaped machine-table, does not support 3Ruler.

Working area:
X: 800 mm
Y: 500 mm

See also TPS-sheet "3R-239-xxx" covering 3Ruler and recommended accessories.

Note: The reference rail also enables the use of other products like: 3R-218-S, 3R-243.2-1 or 3R-272HP.

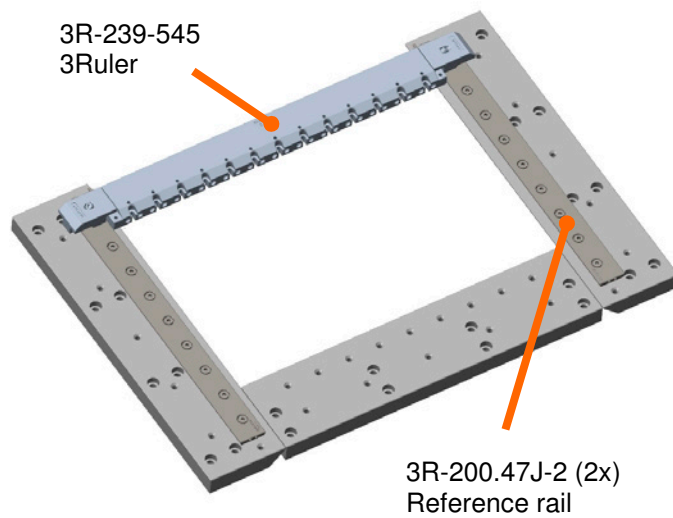
System 3R

MIC – Machine Interface Configuration

November 11, 2018

Subject to modifications
MIC-2818

EXCETEK – V500G



3R-239-545
3Ruler

3R-200.47J-2 (2x)
Reference rail

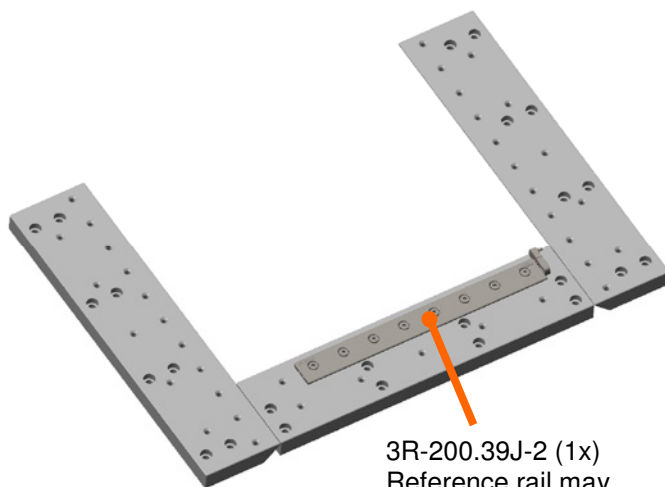
Machine table without tooling

Working area:
X: 500 mm
Y: 300 mm

Horizontal configuration

This configuration display one 3Ruler, but two cross bars may be used.

Working area:
X: 500 mm
Y: 300 mm



3R-200.39J-2 (1x)
Reference rail may
alone or together with
3R-200.47J-2 support
products other than
3Ruler

Vertical configuration

This U-shaped machine-table, does not support 3Ruler.

Working area:
X: 500 mm
Y: 300 mm

See also TPS-sheet “3R-239-xxx” covering 3Ruler and recommended accessories.

Note: The reference rail also enables the use of other products like: 3R-218-S, 3R-243.2-1 or 3R-272HP.

